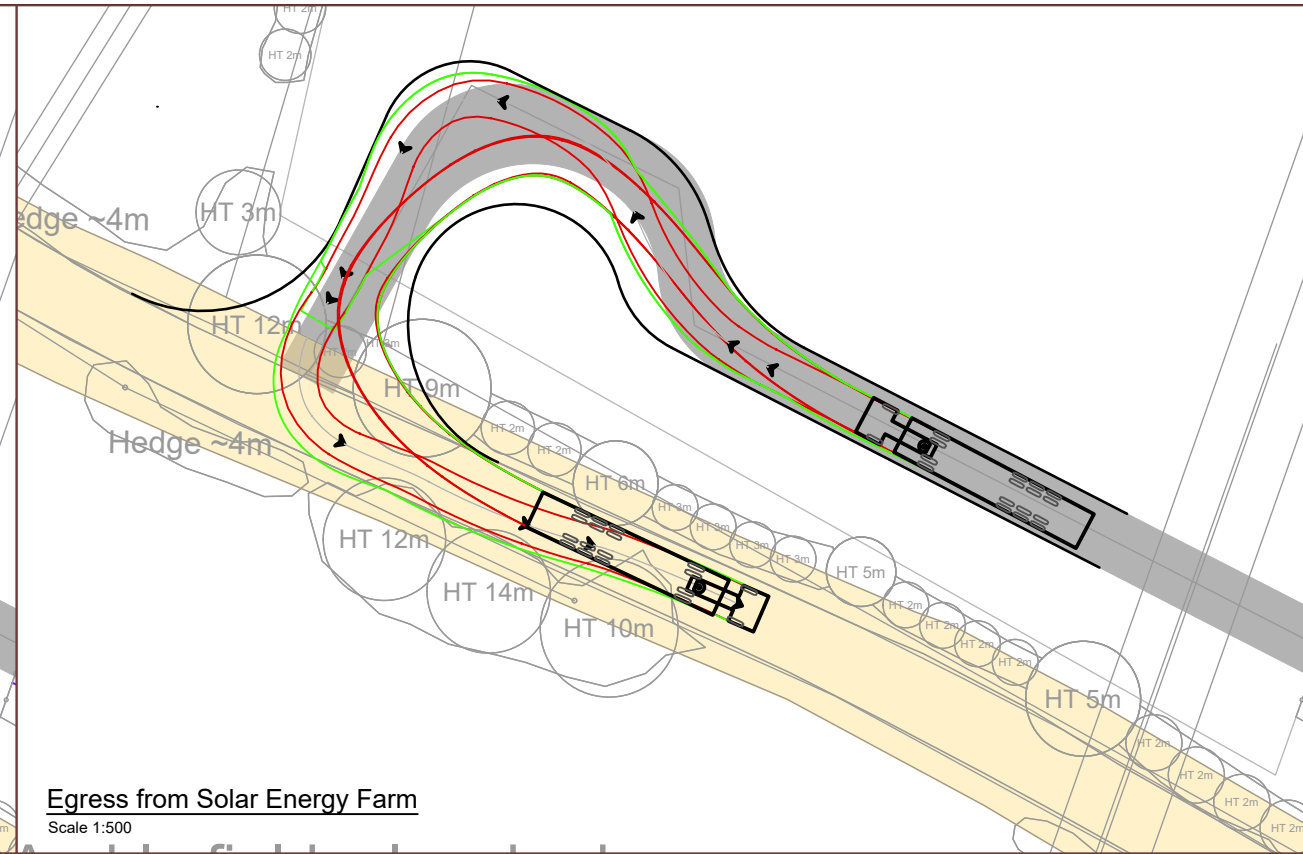
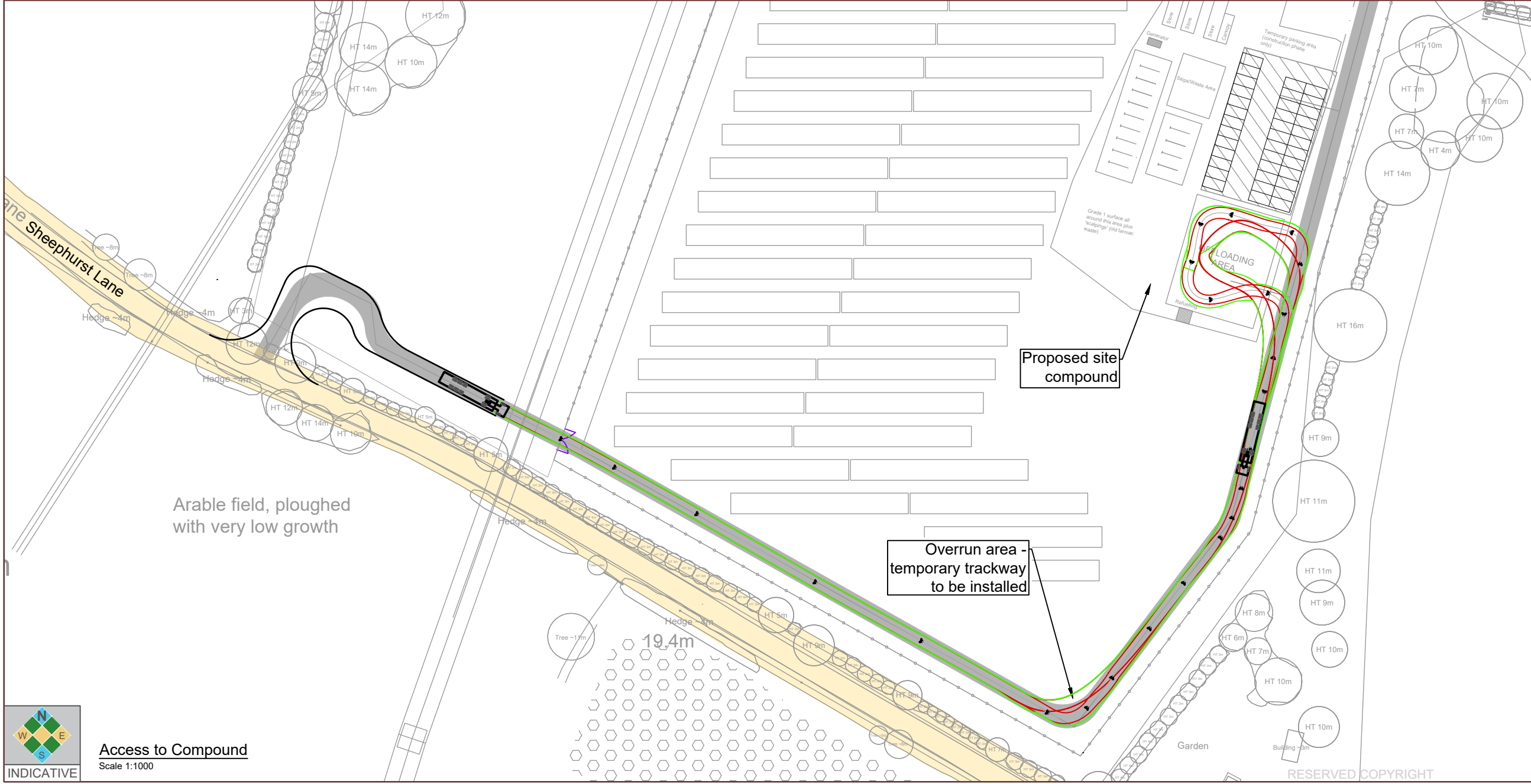


Access to Solar Energy Farm
Scale 1:500



Egress from Solar Energy Farm
Scale 1:500



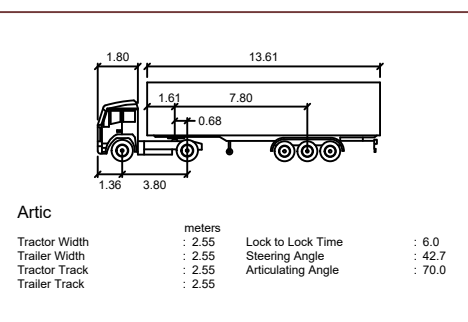
Access to Compound
Scale 1:1000

Notes:

1. Do not scale from this drawing. All dimensions are in metres, unless stated otherwise.
2. This drawing is based on the Architects layout received from Origin Power Services Limited on 14 February 2022.
3. Ordnance Survey, (c) Crown Copyright 2020. All rights reserved. Licence number 100022432.

Key:

Extent of adopted highway maintainable at public expense



Rev	Date	Details	Drawn by	Checked by
B	18.08.22	Site compound and swept path analysis amended	KPS	CE
A	21/02/22	Site layout proposals amended	KPS	KPS



CLIENT:
Statkraft

PROJECT:
Sheepwash Solar Energy Farm
Marden
Kent

TITLE:
Sheephurst Lane
Primary Site Access
Swept Path Analysis

STATUS:
INFORMATION

SCALE @ A3: As shown	DATE: 07/01/22	DRAWN: KPS	CHECKED: CE	APPROVED: CE
JOB NO: 21-0354	DRAWING NO: SP01	REVISION: B		