

Legend

- Site Boundary
- Proposed Turbine
- Proposed Turbine Hardstanding
- Existing Forestry Track No Upgrade
- Existing Forestry Track Upgrade
- New Track (Infrastructure only 4m)
- New Track (6m)
- Proposed Turning Head (Loaded)
- Proposed Turning Head (Unloaded)
- Proposed Temporary Construction Compound (CC)
- Proposed Substation Option (SS)
- Proposed Energy Storage Option (ES)
- Proposed Met Mast and associated hardstanding
- Proposed Borrow Pit Search Area (BP)
- Potential Borrow Pit Excavation Area

Figure Title	
Figure 2.1: Site Layout	
Project Name	
Artfield Forest Wind Farm EIA Report	
Project Number	Figure No.
1620008937	2.1
Date	Prepared By
November 2020	AC
Scale	Issue
1:20,000 @A3	2
Client	
Artfield Forest Wind Farm Ltd	

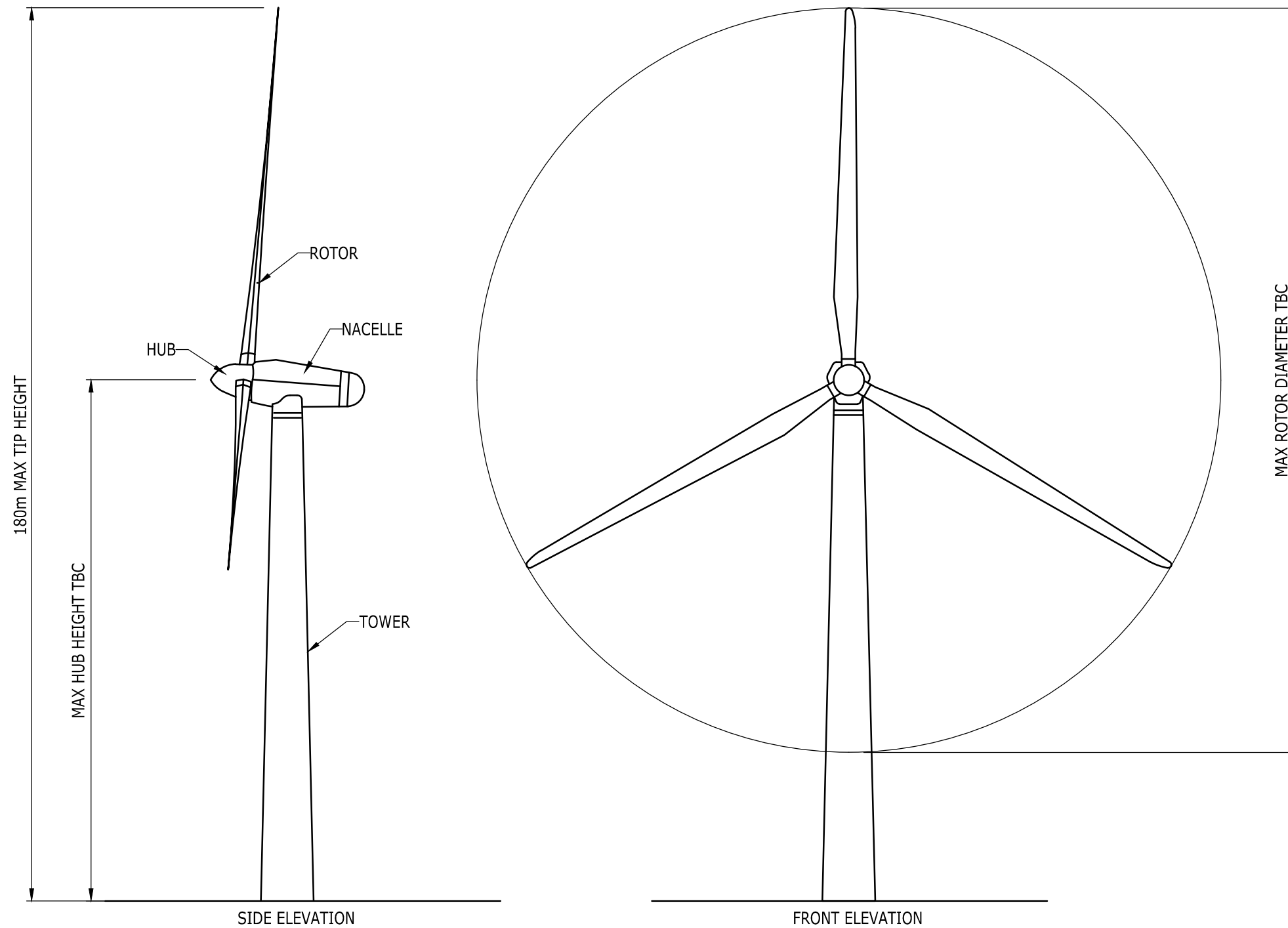


Figure Title
FIGURE 2.2: TYPICAL WIND TURBINE ELEVATION

Project Name
Artfield Forest Wind Farm EIA Report

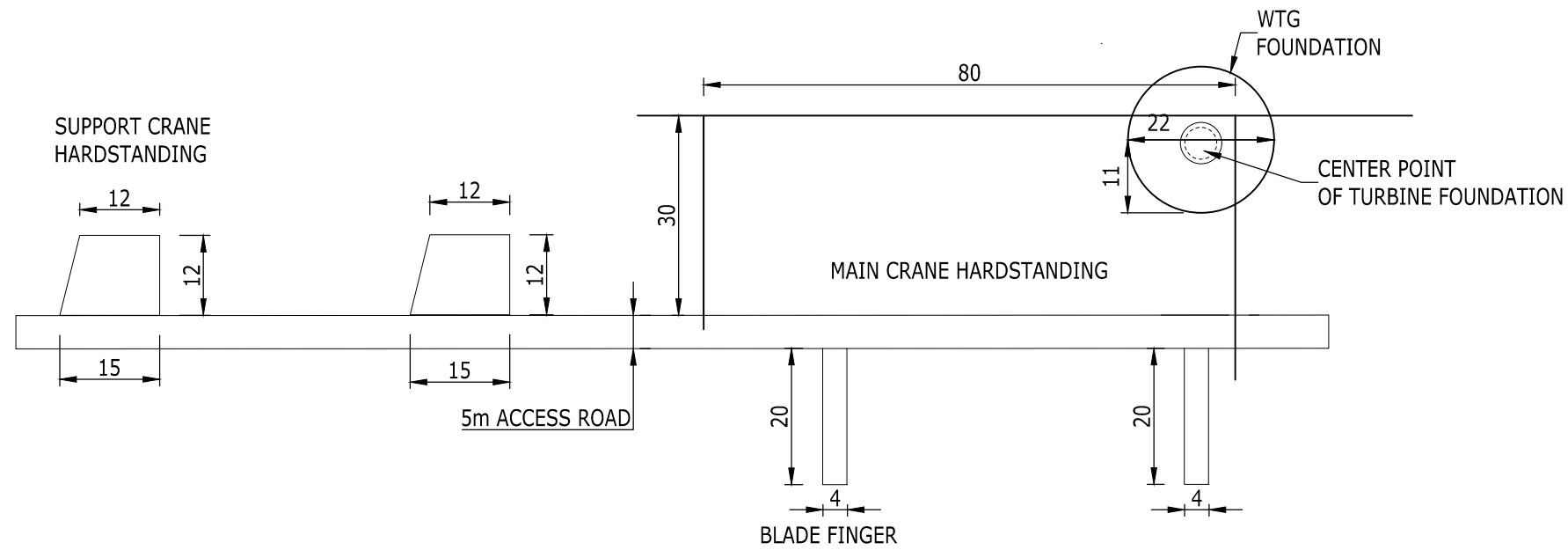
Project Number 1620008937	Figure No. 2.2
------------------------------	-------------------

Date OCTOBER 2020	Prepared By MB
----------------------	-------------------

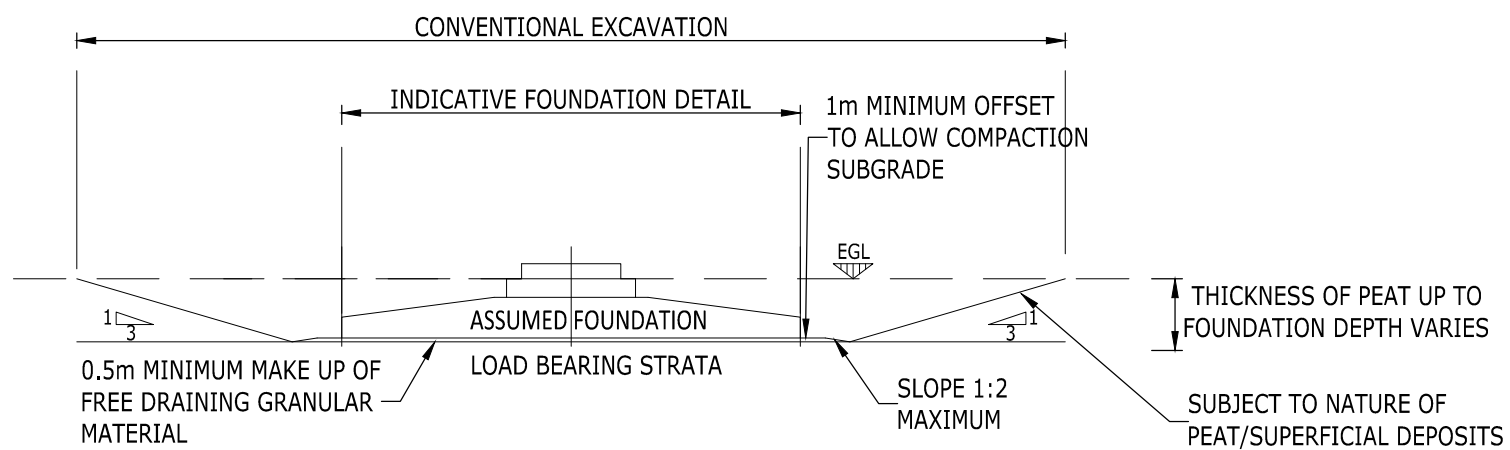
Scale NOT TO SCALE	Issue 1
-----------------------	------------

Client
Artfield Forest Wind Farm Ltd





CRANE HARDSTANDING LAYOUT
(NOT TO SCALE)



TURBINE FOUNDATION DETAIL
(NOT TO SCALE)

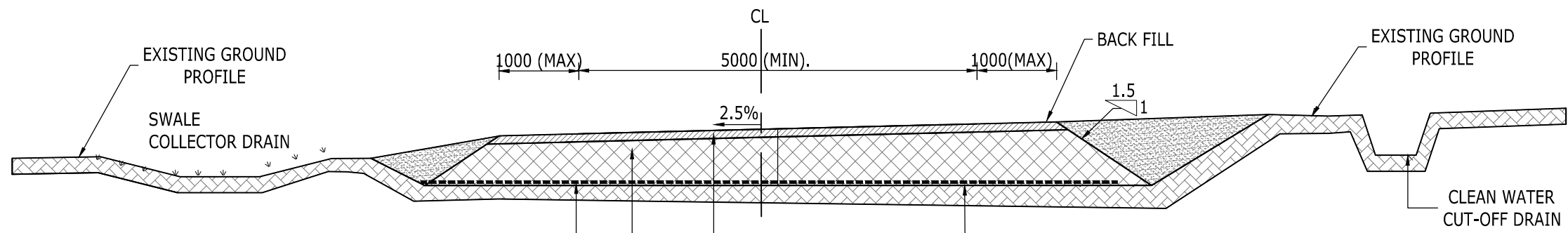
Figure Title
FIGURE 2.3: TYPICAL TURBINE FOUNDATION AND CRANE HARDSTANDING DIMENSIONS

Project Name
Artfield Forest Wind Farm EIA Report

Project Number 1620008937	Figure No. 2.3
Date NOVEMBER 2020	Prepared By MB
Scale NOT TO SCALE	Issue 1

Client
Artfield Forest Wind Farm Ltd





LAYER 1 : GEOTEXTILE WITH PROPERTIES IN ACCORDANCE WITH THE CIVIL SPECIFICATION

LAYER 2 : 500mm MIN. CLASS 6F2 FILL MATERIAL IN ACCORDANCE WITH CLAUSE 613 OF VOLUME 1 OF THE SPECIFICATION FOR HIGHWAY WORKS

LAYER 3 : 100mm MIN. IMPORTED TYPE 1 CLAUSE 803 MATERIAL IN ACCORDANCE WITH VOLUME 1 SPECIFICATION FOR HIGHWAY WORKS SERIES 800

SUITABLE FORMATION LEVEL TO BE AGREED WITH THE ENGINEER ON SITE

Figure Title
FIGURE 2.4: TYPICAL ACCESS TRACK DETAIL

Project Name
**Artfield Forest Wind Farm
 EIA Report**

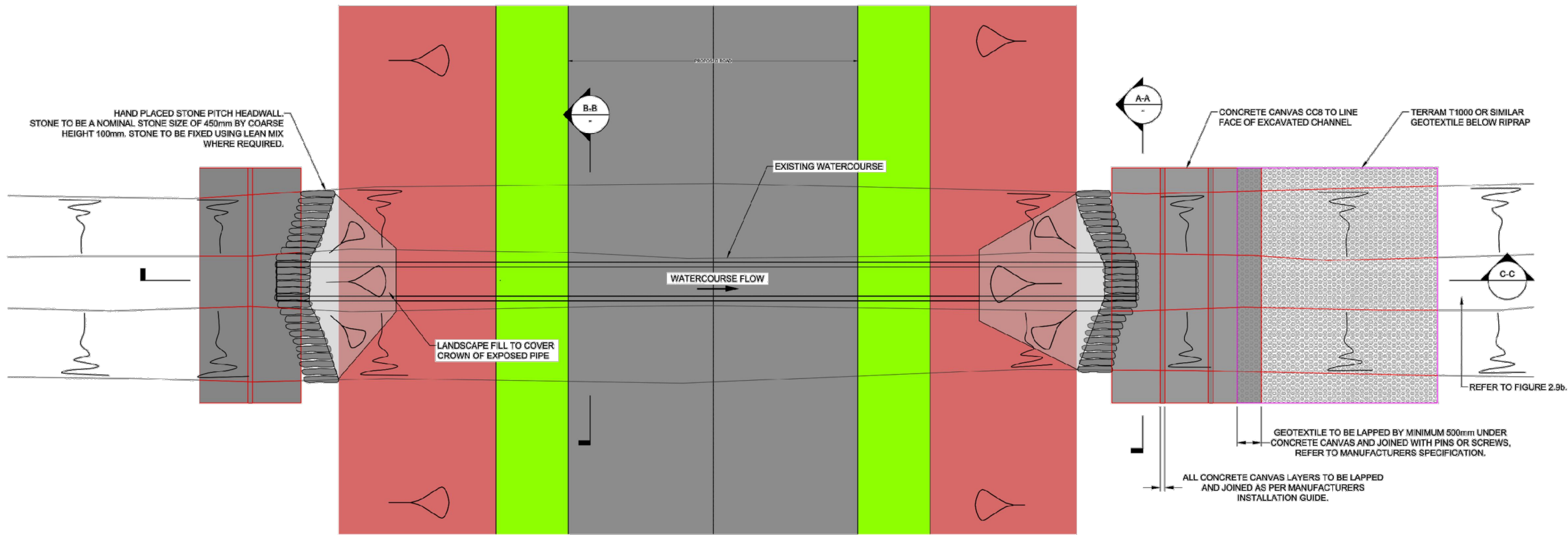
Project Number 1620008937	Figure No. 2.4
------------------------------	-------------------

Date NOVEMBER 2020	Prepared By MB
-----------------------	-------------------

Scale NOT TO SCALE	Issue 1
-----------------------	------------

Client
Artfield Forest Wind Farm Ltd





TYPICAL PLAN ON PROPOSED WATERCOURSE CROSSING
SCALE 1:50

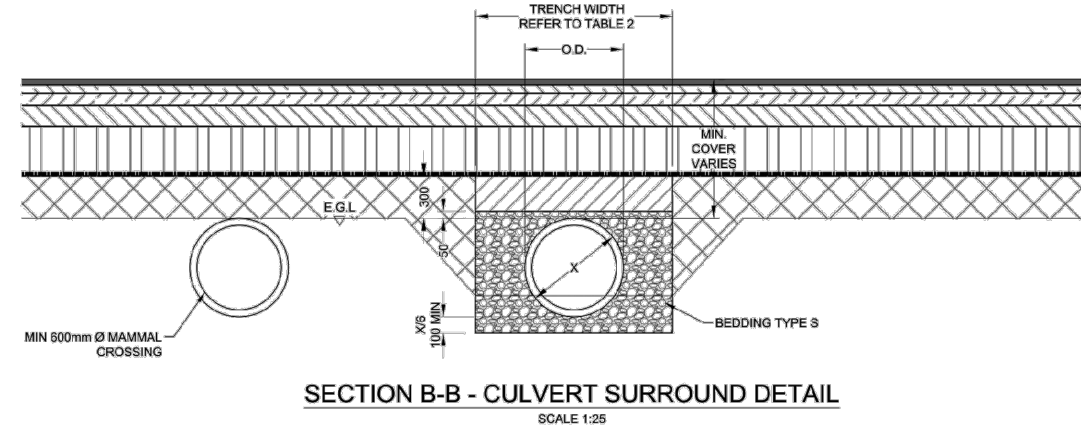
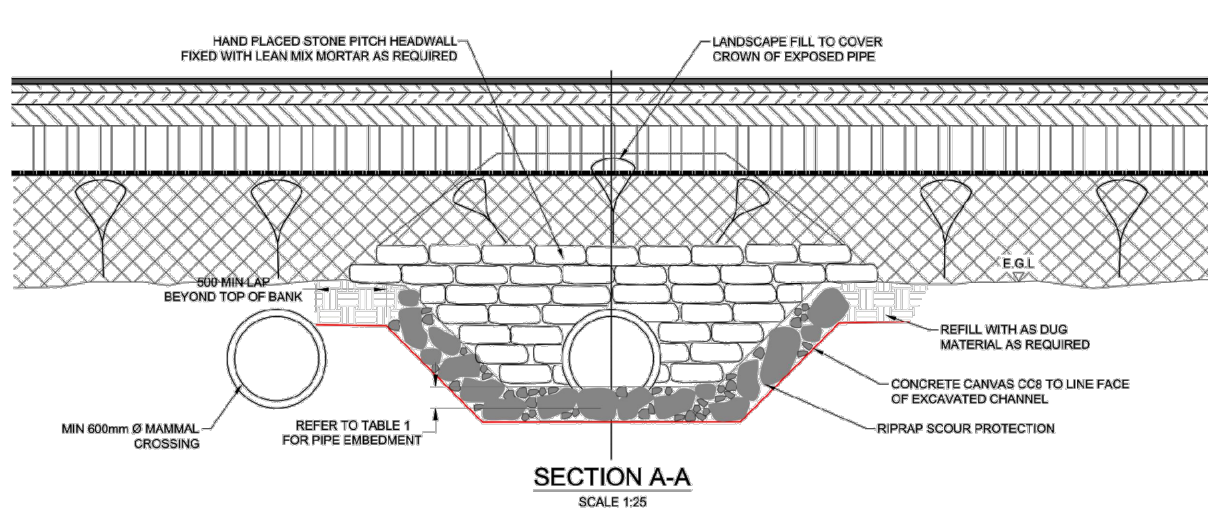


TABLE 1 - CULVERT INFORMATION FOUNDED TRACK

CULVERT REFERENCE	PIPE SIZE (mm)	PIPE MATERIAL	EMBEDMENT DEPTH (mm)	PIPE LENGTH (m)
WX02	450	HDPE	113	13.5

TABLE 2 - PIPE TRENCH

I.D. (m)	TRENCH WIDTH (m)
< 0.7m	O.D + 0.7m
0.7m TO 1.2m	O.D + 0.85m
> 1.2m	O.D + 1.0m

Figure Title
FIGURE 2.5a: TYPICAL WATERCOURSE CROSSING DETAIL

Project Name
Artfield Forest Wind Farm EIA Report

Project Number 1620008937	Figure No. 2.5a
Date NOVEMBER 2020	Prepared By MB
Scale NOT TO SCALE	Issue 1

Client
Artfield Forest Wind Farm Ltd



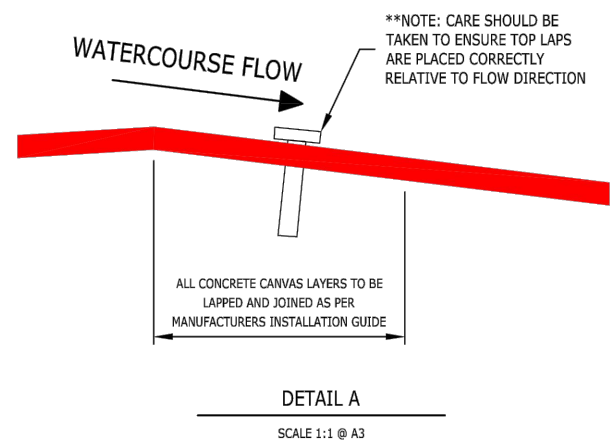
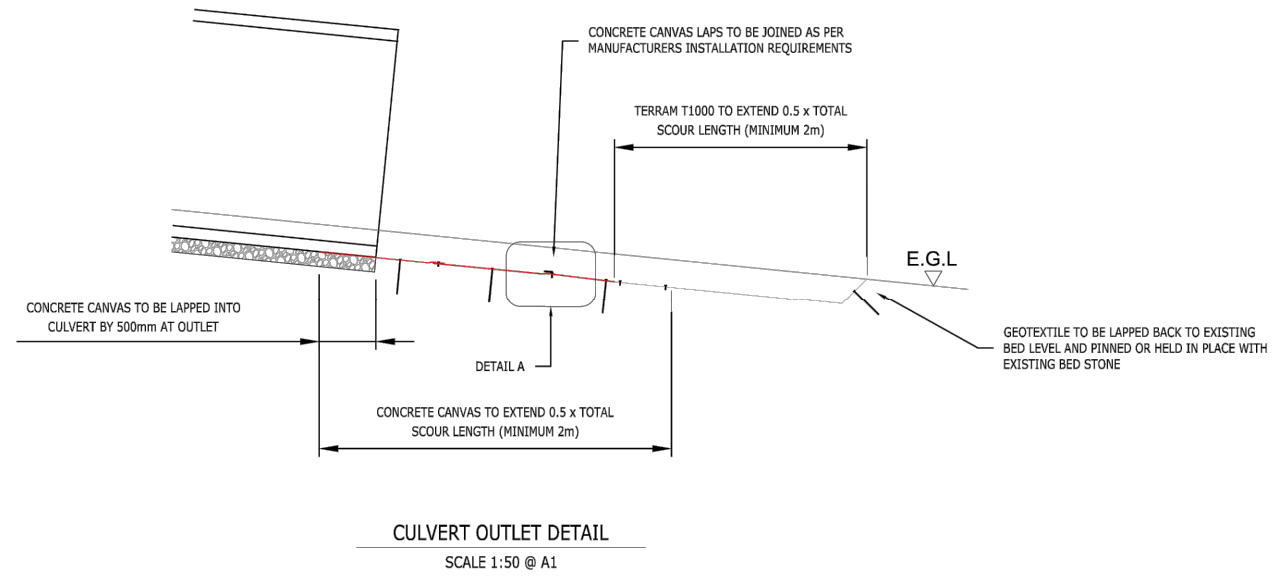
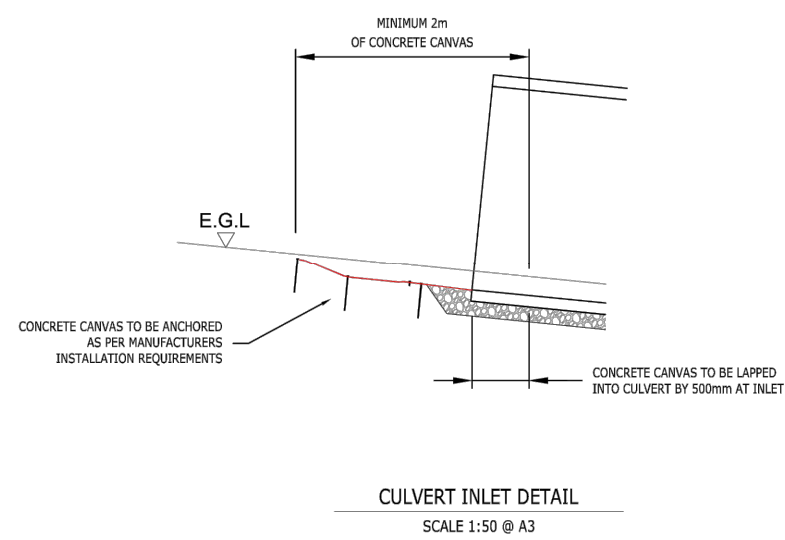
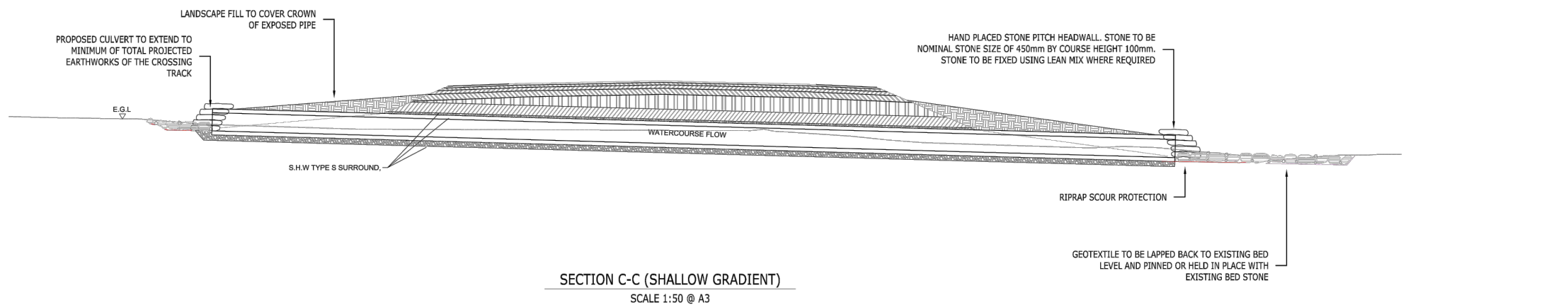


Figure Title
FIGURE 2.5b: TYPICAL WATERCOURSE CROSSING DETAIL

Project Name
Artfield Forest Wind Farm EIA Report

Project Number 1620008937	Figure No. 2.5b
Date NOVEMBER 2020	Prepared By MB
Scale NOT TO SCALE	Issue 1

Client
Artfield Forest Wind Farm Ltd



Legend

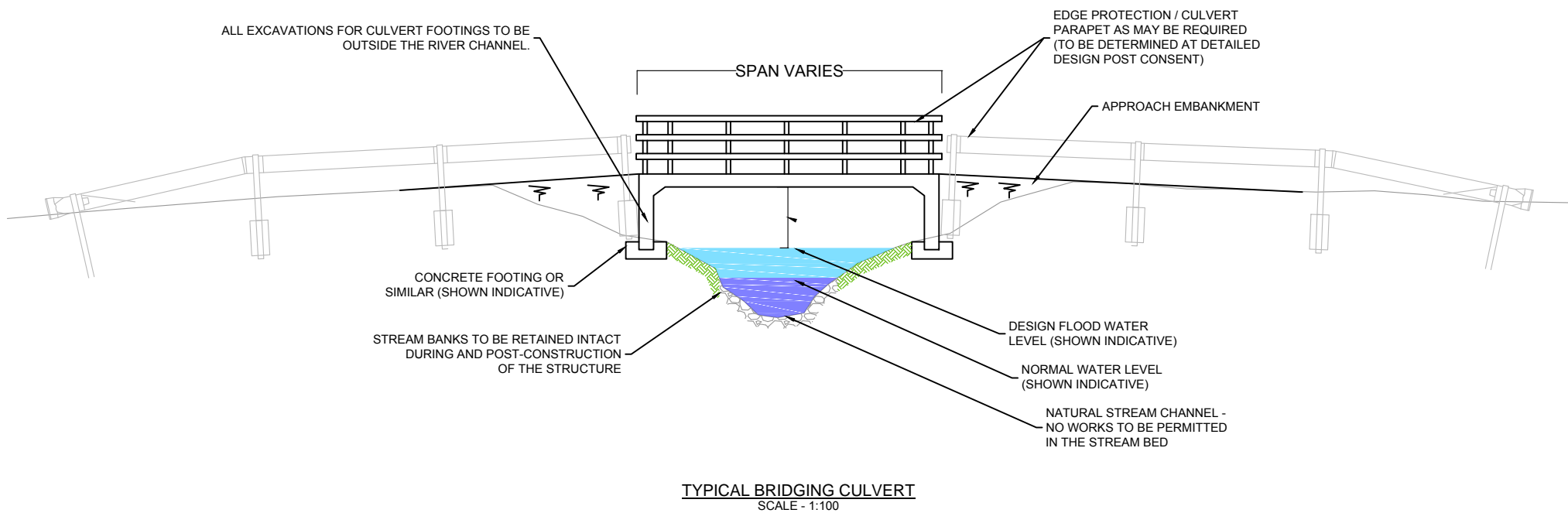
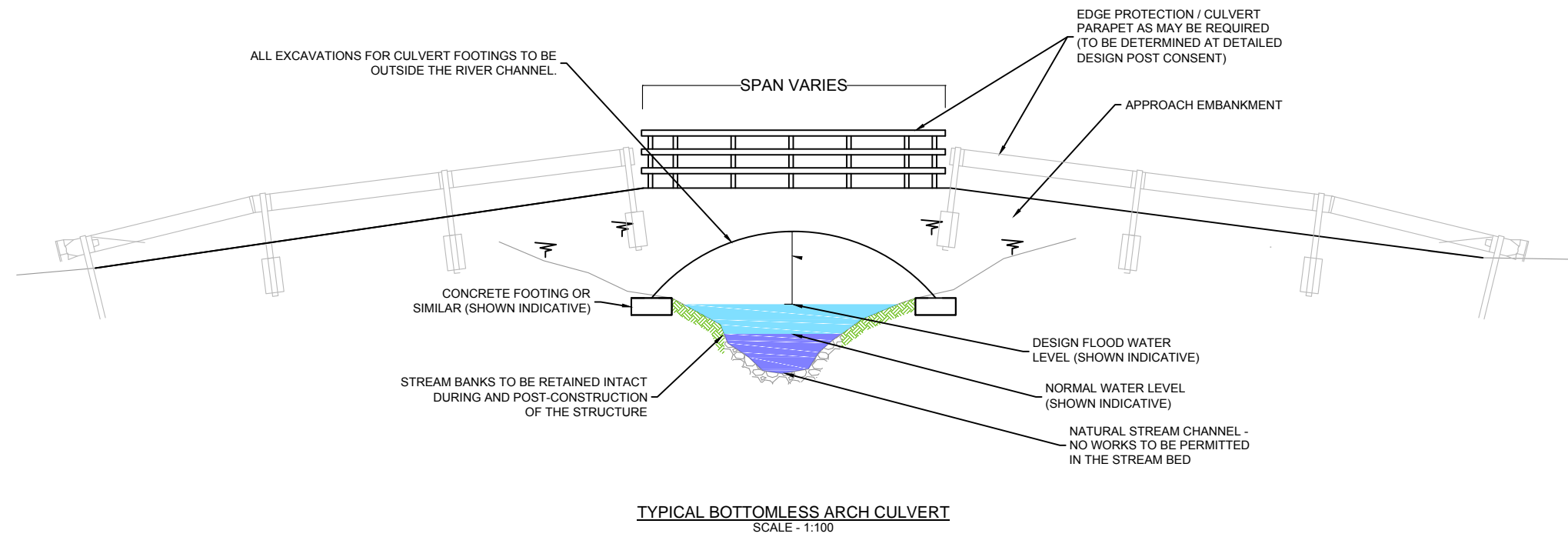


Figure Title
Figure 2.5c: Typical Watercourse Crossing Detail

Project Name
Artfield Forest Wind Farm EIA Report

Project Number 1620008937	Figure No. 2.5c
Date November 2020	Prepared By AC
Scale 1:18,000 @A3	Issue 1

Client
Artfield Forest Wind Farm Ltd



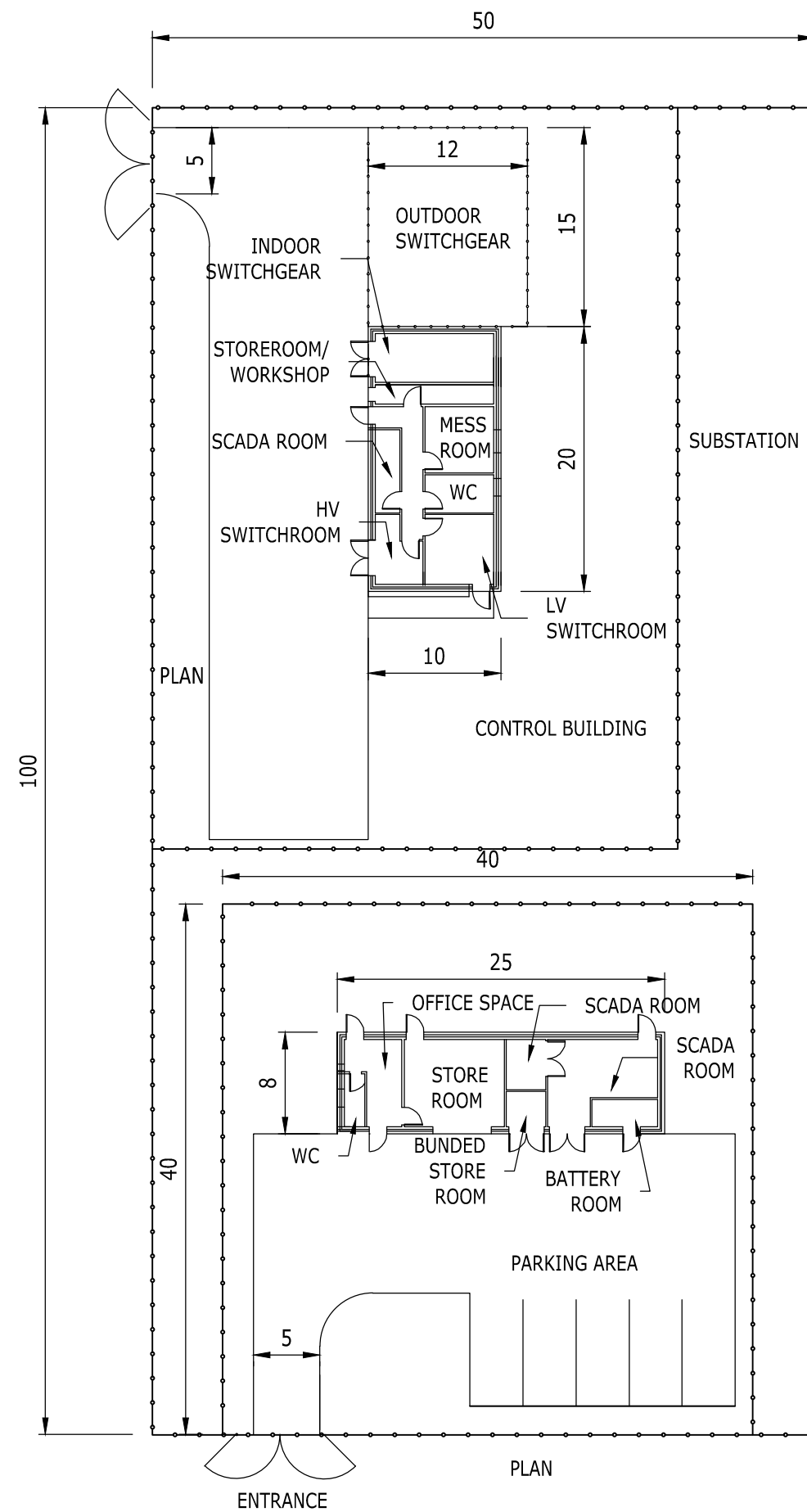


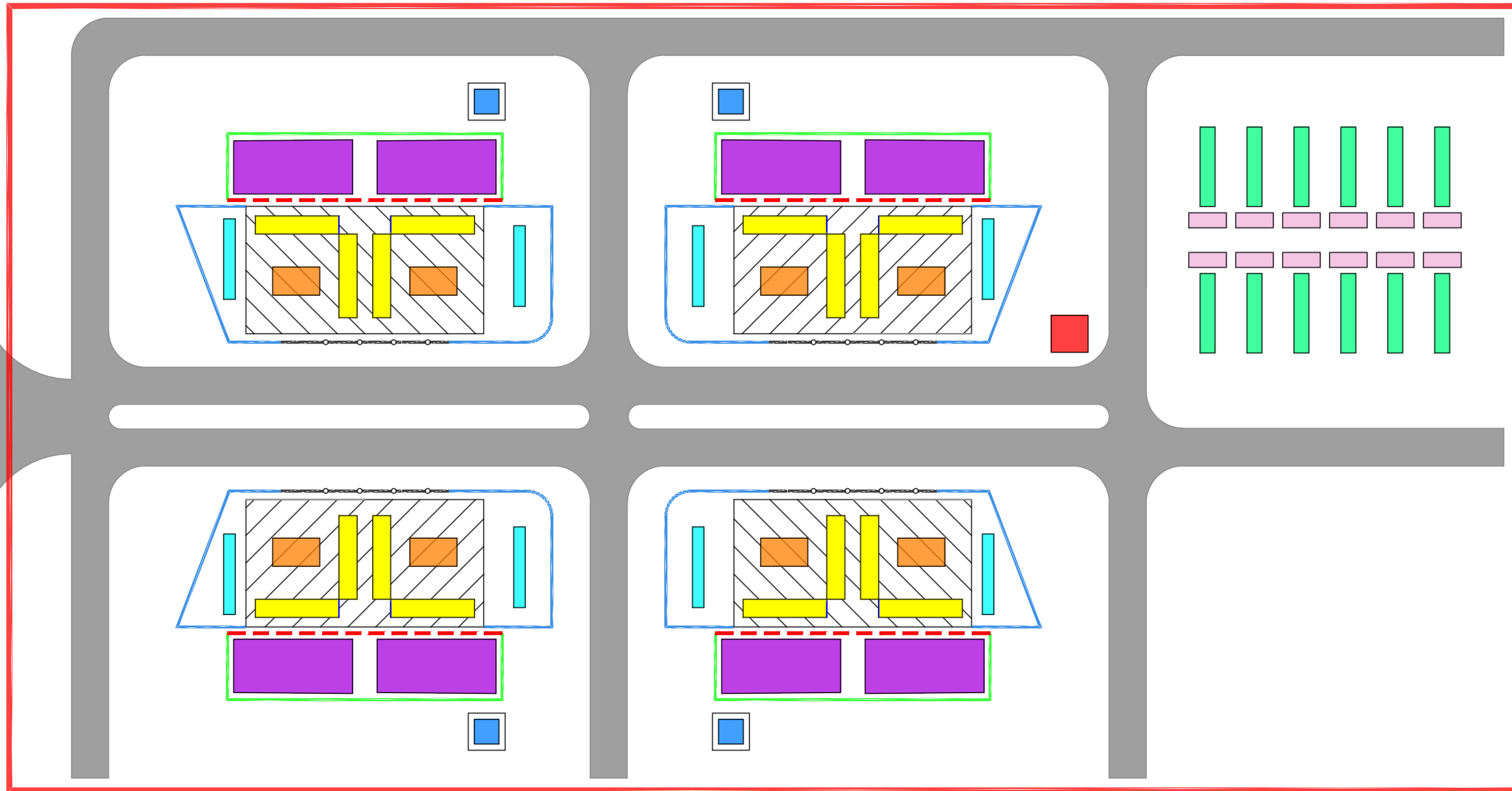
Figure Title
**FIGURE 2.6: TYPICAL
 SUBSTATION AND CONTROL
 BUILDING LAYOUT**

Project Name
**Artfield Forest Wind Farm
 EIA Report**

Project Number 1620008937	Figure No. 2.6
Date NOVEMBER 2020	Prepared By MB
Scale NOT TO SCALE	Issue 1

Client
Artfield Forest Wind Farm Ltd





KEY

- SITE BOUNDARY
- BATTERY (12.9m x 2.44m x 2.59m)
- INVERTER (6.1m x 2.44m x 2.59m)
- TRANSFORMER WITH 7.0m HIGH CONNECTING BUS BARS
- FIRE WALL (46.7m x 0.5m x 14.0m)
- BUILDING (20.7m x 36.7m x 10.0m TO ROOF PITCH)
- E-HOUSE (ENCLOSED IN BUILDING) 20.7m x 38.6m x 10.0m TO ROOF PITCH
- ENERGY MANAGEMENT SYSTEM (ENCLOSED IN BUILDING 20.7m x 36.7m x 10.0m TO ROOF PITCH)
- COOLER (11.3m x 2.4m x 2.5m)
- PROPOSED ROADS
- TRANSFORMER (4.0m x 4.0m IN A 6.0m x 6.0m BUND)
- 4m HIGH WALL
- 6m HIGH WALL
- 2.4m HIGH PALISADE FENCE
- DIESEL GENERATOR (6.0m x 6.0m)

Figure Title
FIGURE 2.7: TYPICAL ENERGY STORAGE FACILITY LAYOUT

Project Name
**Artfield Forest Wind Farm
 EIA Report**

Project Number 1620008937	Figure No. 2.7
Date NOVEMBER 2020	Prepared By MB
Scale NOT TO SCALE	Issue 1

Client
Artfield Forest Wind Farm Ltd



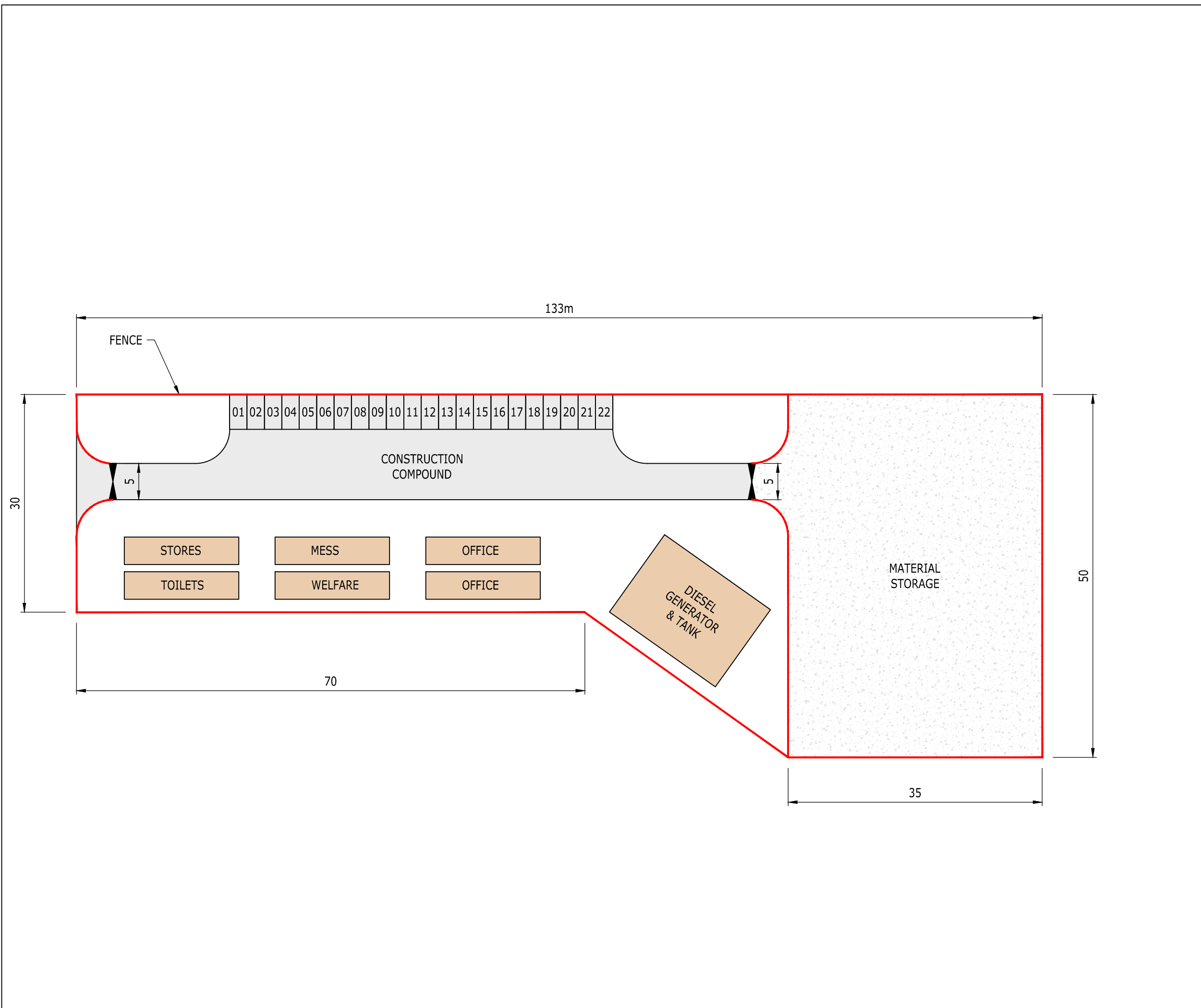


Figure Title
**FIGURE 2.8: TYPICAL
 TEMPORARY CONSTRUCTION
 COMPOUND LAYOUT**

Project Name
**Artfield Forest Wind Farm
 EIA Report**

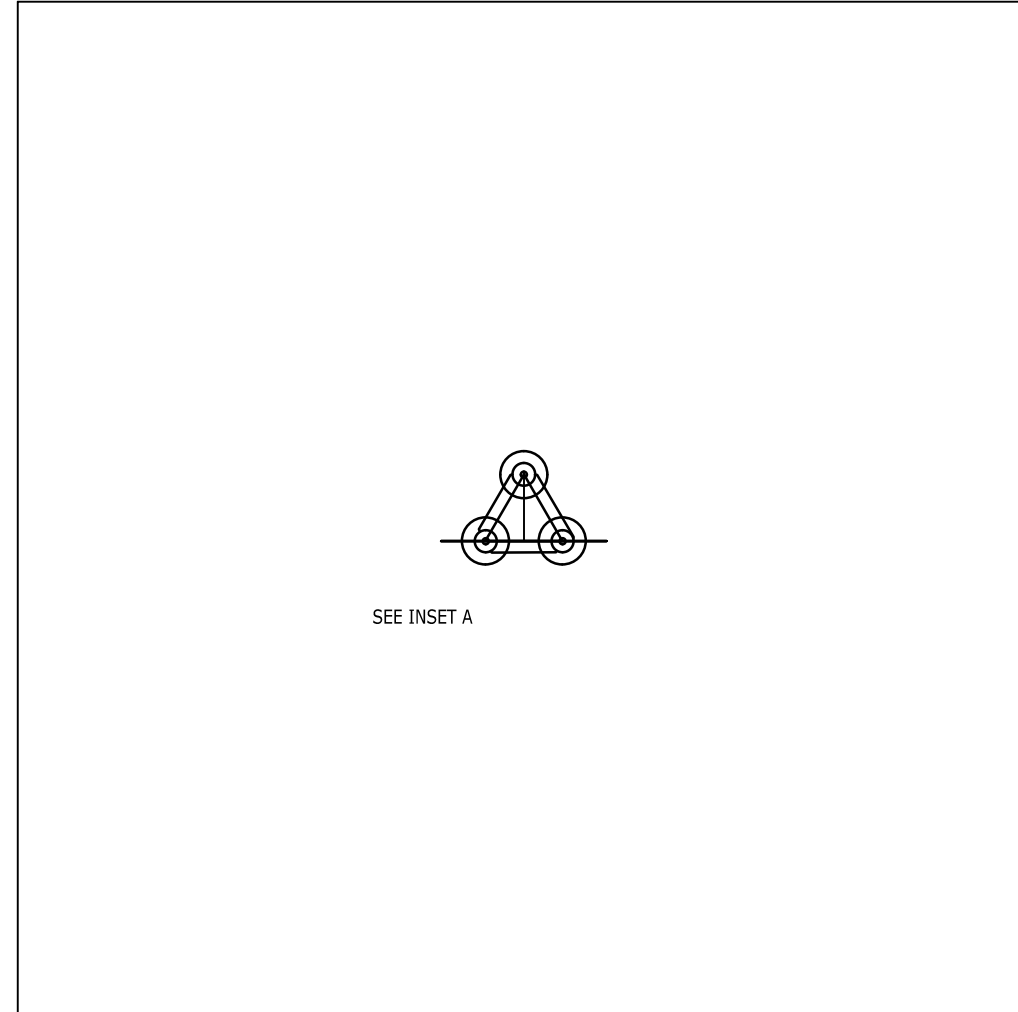
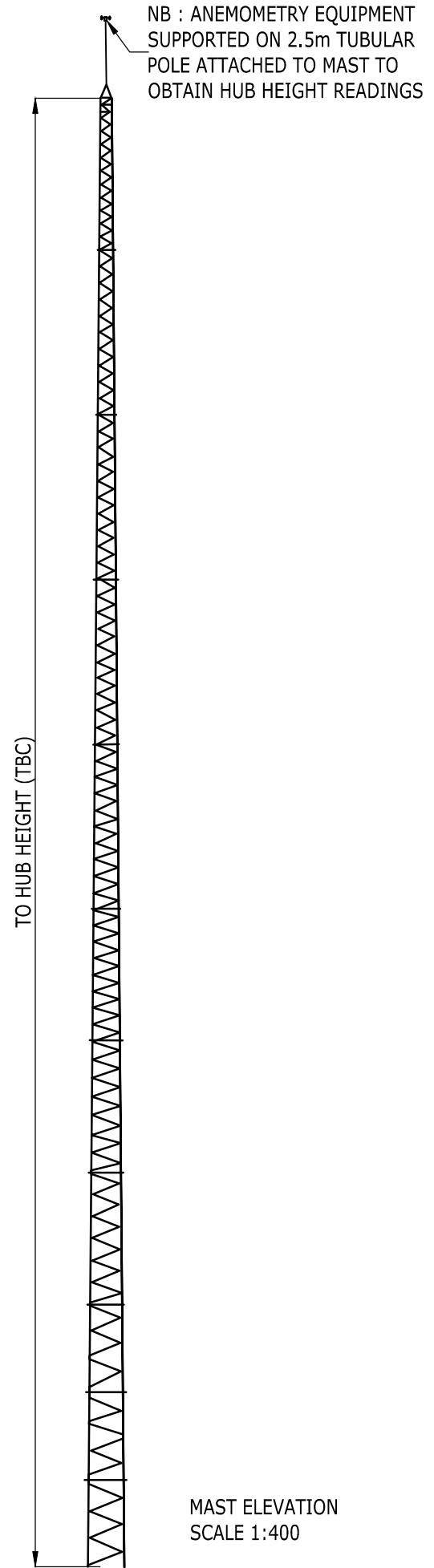
Project Number 1620008937	Figure No. 2.8
------------------------------	-------------------

Date NOVEMBER 2020	Prepared By MB
-----------------------	-------------------

Scale NOT TO SCALE	Issue 2
-----------------------	------------

Client
Artfield Forest Wind Farm Ltd





FOUNDATION AND ASSOCIATED HARDSTANDING

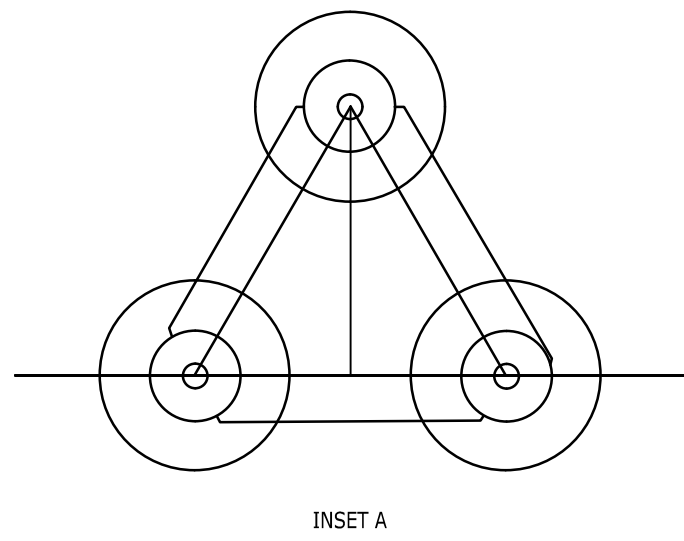
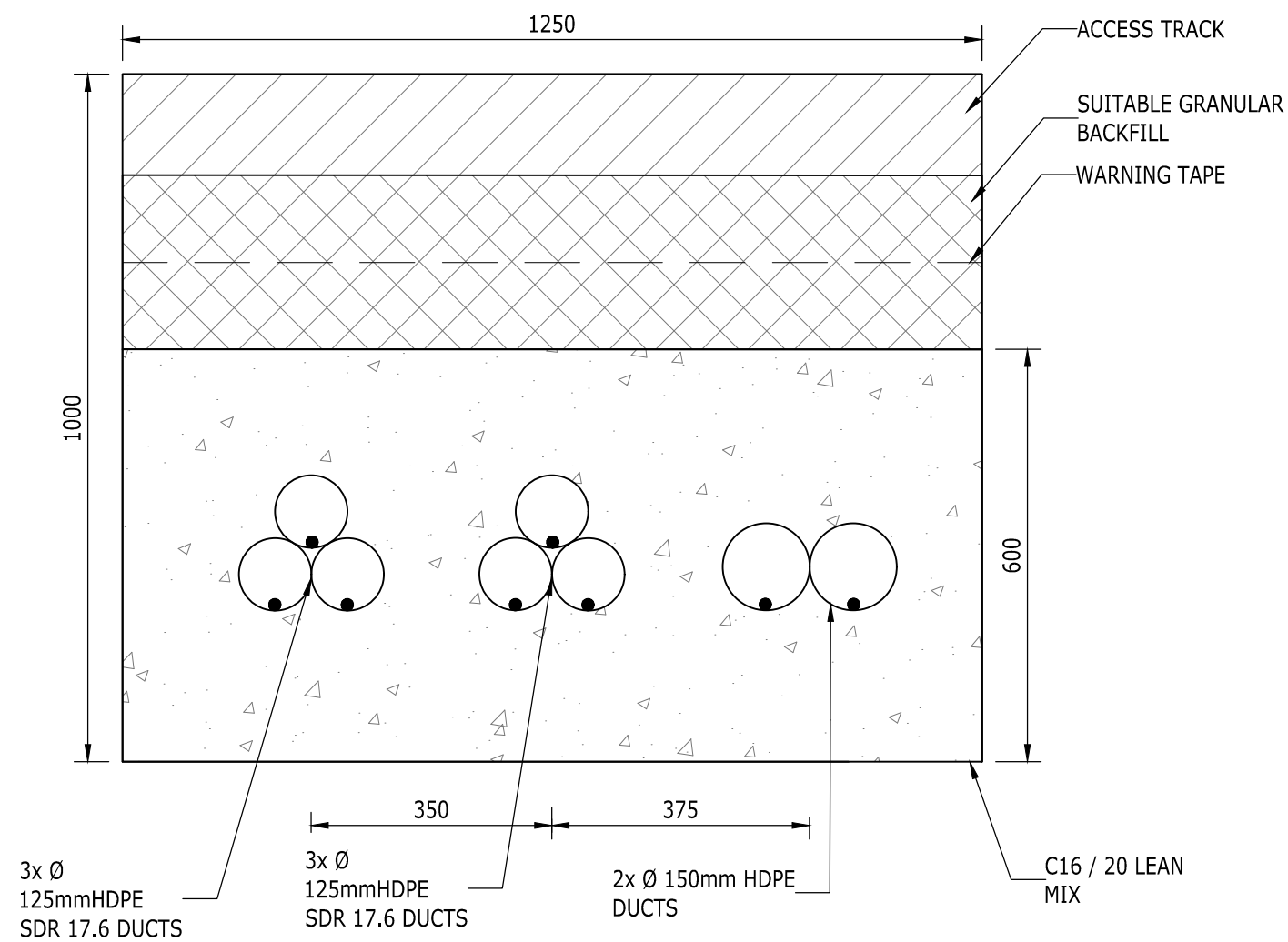


Figure Title	
FIGURE 2.9: TYPICAL ANEMOMETER MAST	
Project Name	
Artfield Forest Wind Farm EIA Report	
Project Number	Figure No.
1620008937	2.9
Date	Prepared By
NOVEMBER 2020	MB
Scale	Issue
NOT TO SCALE	1
Client	
Artfield Forest Wind Farm Ltd	





TYPICAL CABLE FORMATION
NOT TO SCALE

Figure Title
FIGURE 2.10: TYPICAL CABLE TRENCH SECTION

Project Name
**Artfield Forest Wind Farm
 EIA Report**

Project Number 1620008937	Figure No. 2.10
------------------------------	--------------------

Date NOVEMBER 2020	Prepared By MB
-----------------------	-------------------

Scale NOT TO SCALE	Issue 1
-----------------------	------------

Client
Artfield Forest Wind Farm Ltd

