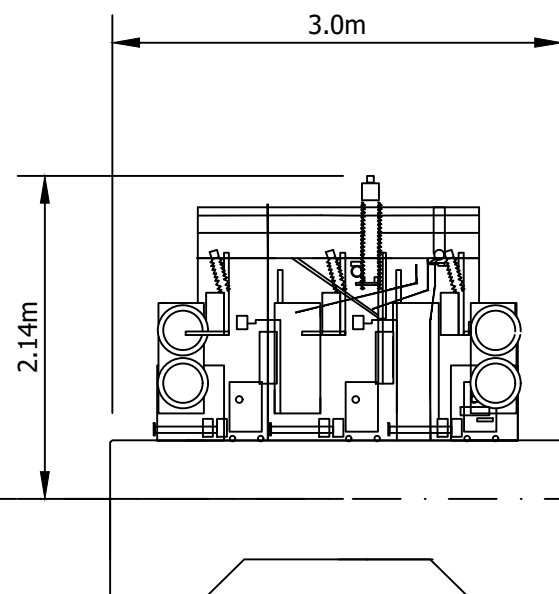
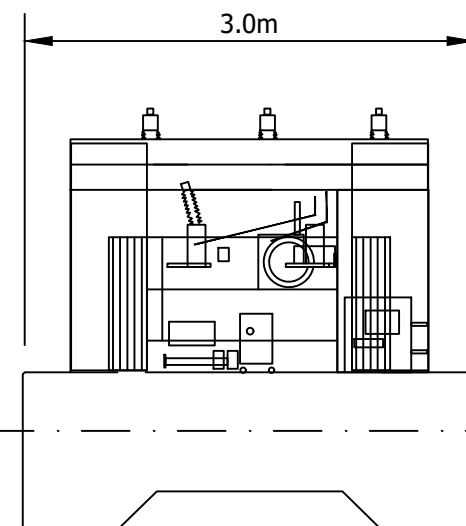


PLAN



ELEVATION





END-ELEVATION

G.L

G.L

G.L

Plot Date : 20 September 2021 10:59:14
 File Name P:\CAD\4188 COYLTON BATTERY STORAGE\01-WORKING\01_01-DRAWINGS\4188-DR-P-0007

Project Title COYLTON GREENER GRID PARK	Drawing Title PLANNING DRAWING 006 INDICATIVE 1000kVA/400V TRANSFORMER	Purpose of issue PLANNING				THIS DOCUMENT HAS BEEN PREPARED IN ACCORDANCE WITH THE SCOPE OF ARCUS' APPOINTMENT WITH ITS CLIENT AND IS SUBJECT TO THE TERMS OF THAT APPOINTMENT. ARCUS ACCEPTS NO LIABILITY FOR ANY USE OF THIS DOCUMENT OTHER THAN BY ITS CLIENT AND ONLY FOR THE PURPOSES FOR WHICH IT WAS PREPARED AND PROVIDED	Arcus Consultancy Services 7th Floor 144 West George Street Glasgow, G2 2HG Tel: +44 (0)141 221 9997 Fax: +44 (0)141 221 5610 www.arcusconsulting.co.uk	
		Designed -	Drawn SR	Checked KB	Approved DB			
Client 		Arcus Internal Project No. 4188	Date 14/10/21					
		Scale @ A3 1:50						