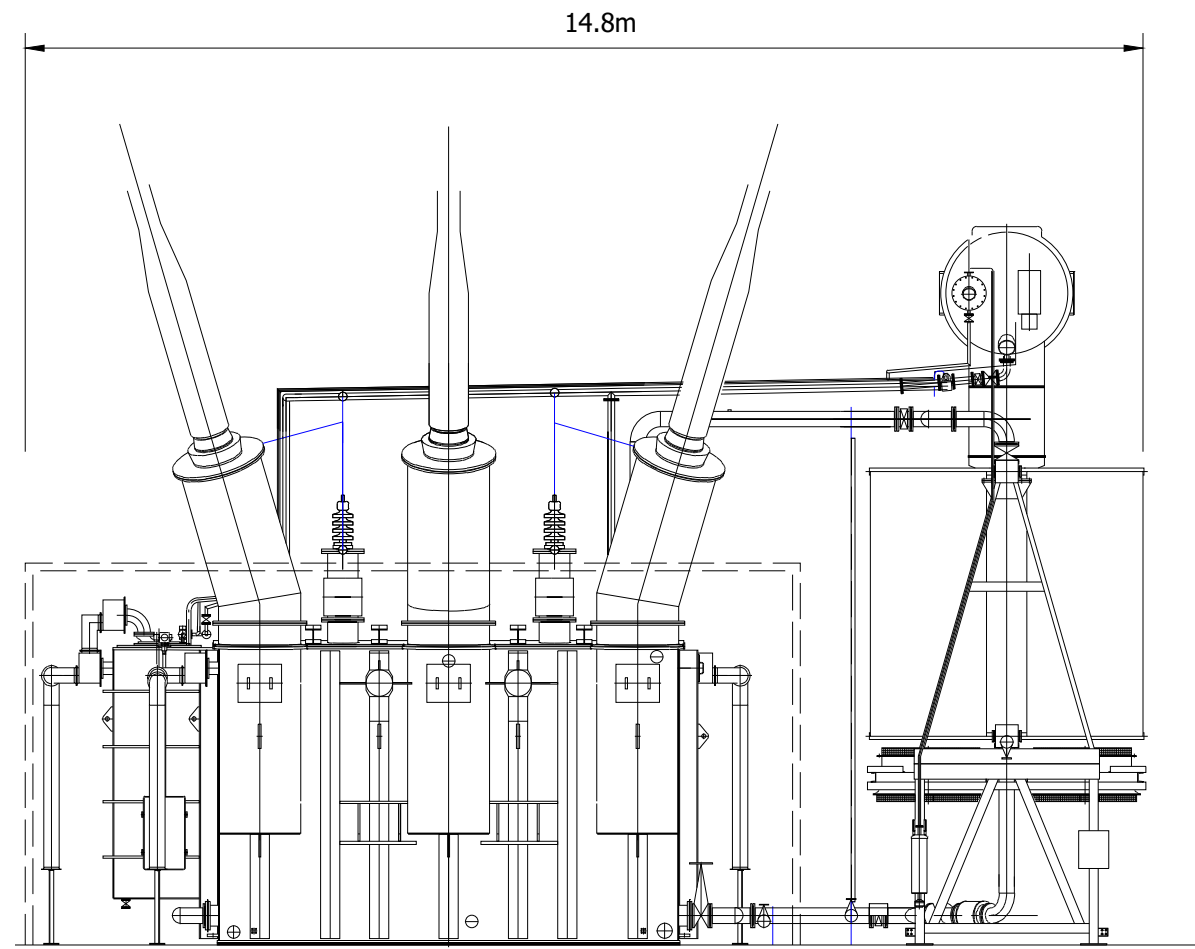
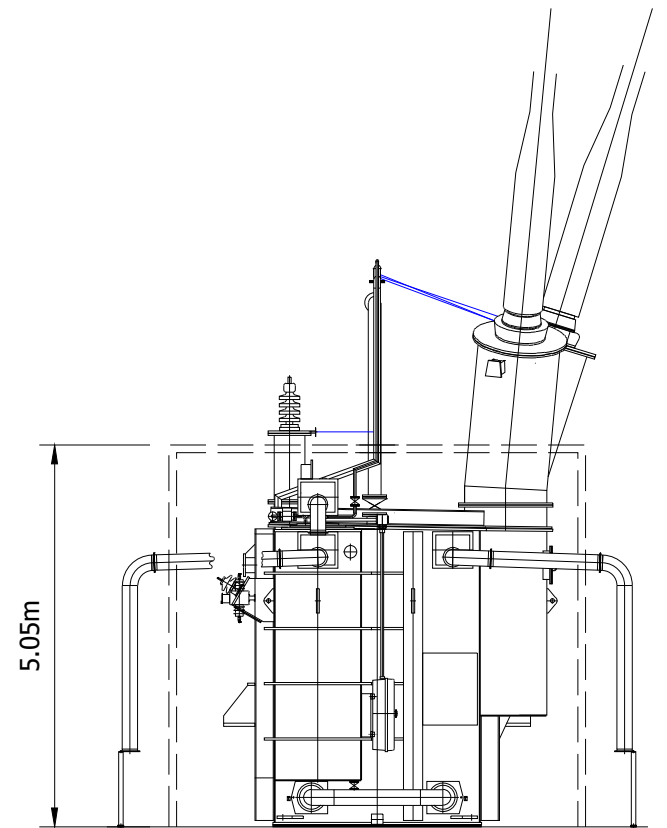


END ELEVATION





FRONT ELEVATION



END ELEVATION

Plot Date : 23 June 2020 15:27:33
File Name P:\PROJECTS\3421 SWANSEA NORTH\CAD\01-WORKING\01-01-DRAWINGS\PLANNING FIGURES\3421-DR-P-0006-P2

| | | | | | | | | |
|---|---|-------------------------------------|------------------|---------------|----------------|---|--|---|
| Project Title SWANSEA NORTH ENERGY MANAGEMENT FACILITY | Drawing Title PLANNING DRAWING 006 INDICATIVE TRANSFORMER & HV COMPOUND | Purpose of issue PLANNING | | | | THIS DOCUMENT HAS BEEN PREPARED IN ACCORDANCE WITH THE SCOPE OF ARCUS' APPOINTMENT WITH ITS CLIENT AND IS SUBJECT TO THE TERMS OF THAT APPOINTMENT. ARCUS ACCEPTS NO LIABILITY FOR ANY USE OF THIS DOCUMENT OTHER THAN BY ITS CLIENT AND ONLY FOR THE PURPOSES FOR WHICH IT WAS PREPARED AND PROVIDED | Arcus Consultancy Services 7th Floor 144 West George Street Glasgow, G2 2HG Tel: +44 (0)141 221 9997 Fax: +44 (0)141 221 5610 www.arcusconsulting.co.uk |  |
| | | Designed - | Drawn KB | Checked DB | Approved AM | | | |
| Client  | | Arcus Internal Project No. 3421 | Date 22/06/20 | | | | | |
| | | Scale @ A3 1:100 | | | | | | |