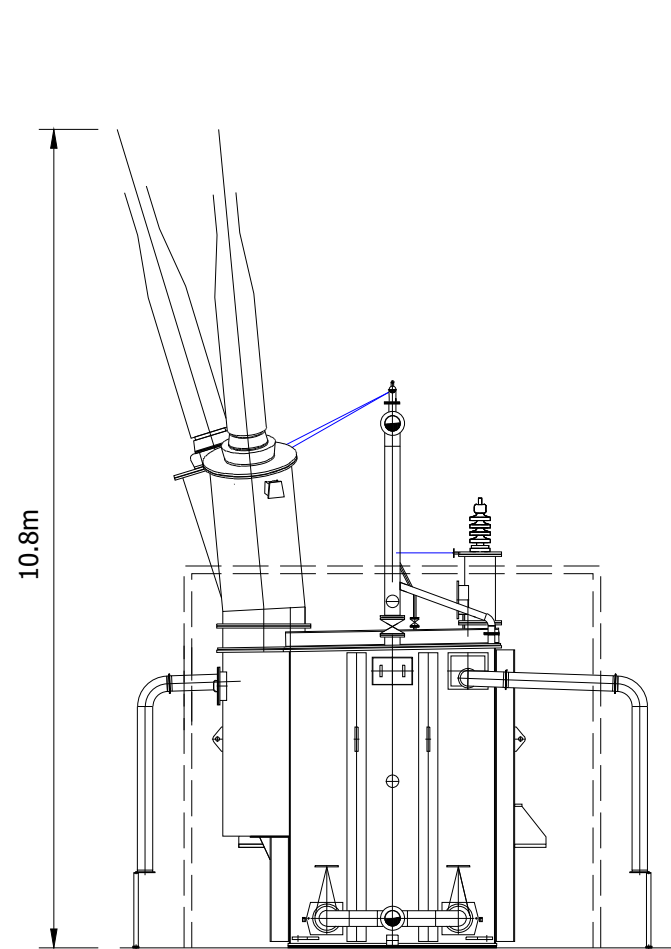
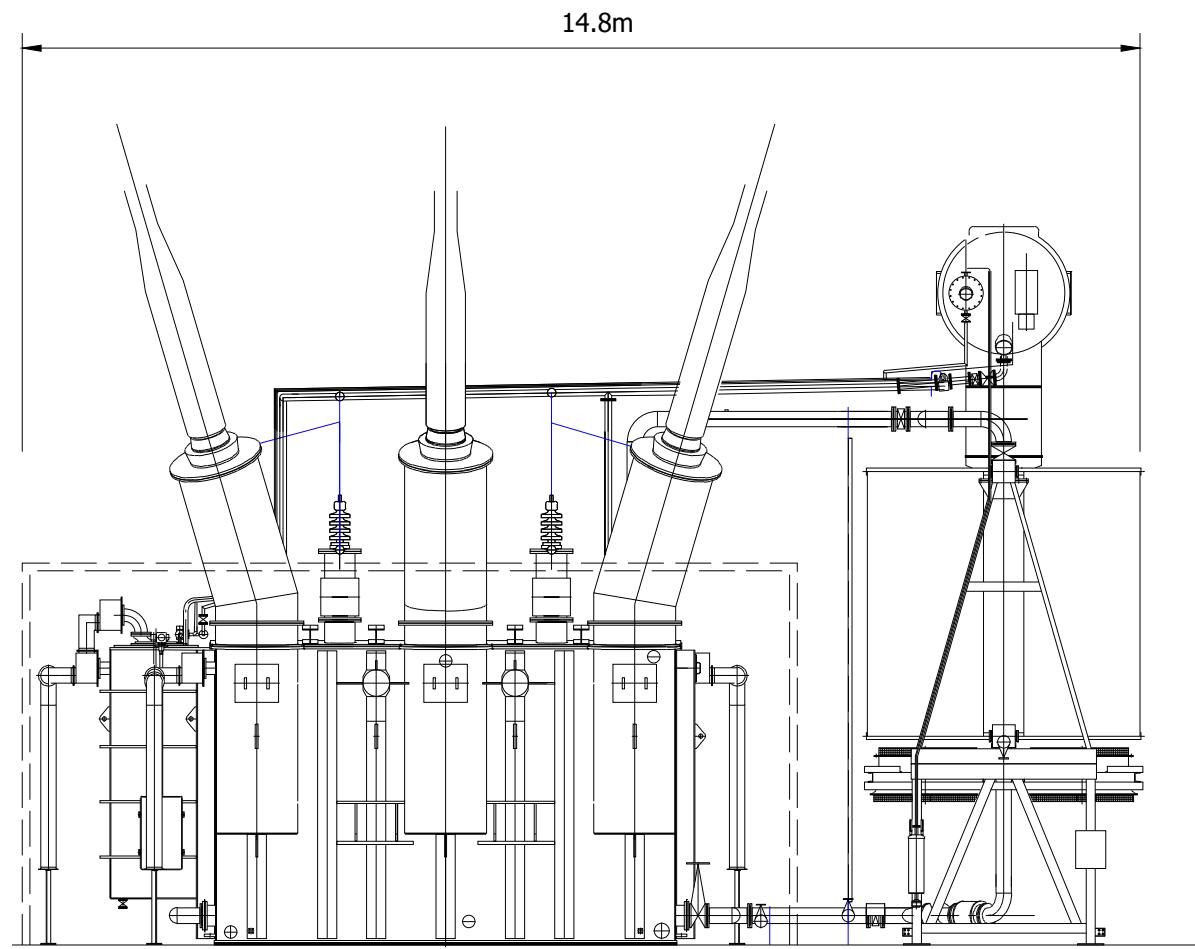


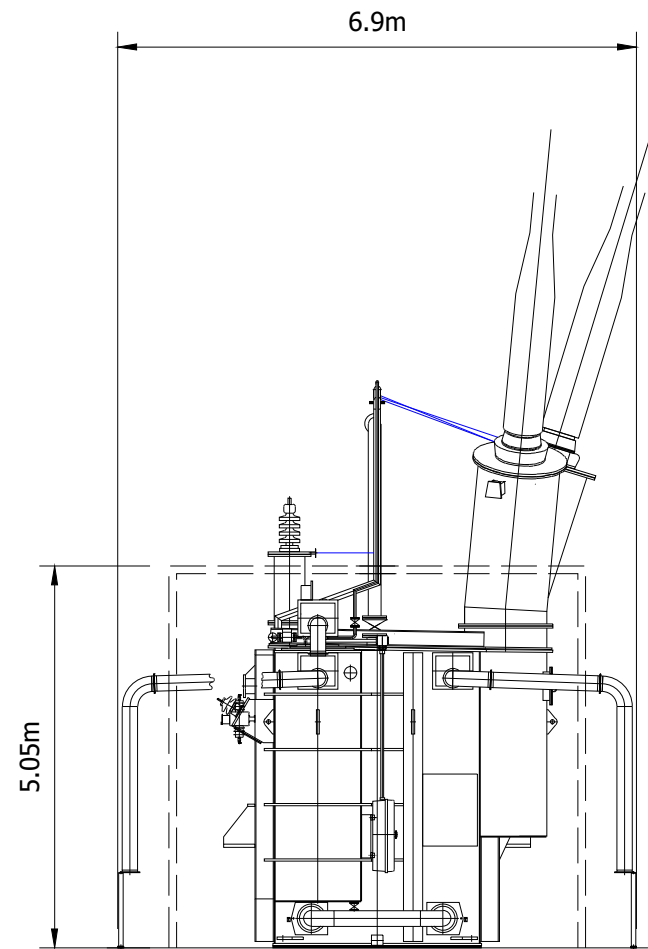
Plot Date : 30 June 2021 15:04:39
File Name P:\PROJECTS\3215 NINFIELD\CAD\01-WORKING\01_01-DRAWINGS\3215-DR-P-0004



END ELEVATION





FRONT ELEVATION



END ELEVATION



SCALE 1:100

Project Title NINFIELD GREENER GRID PARK		Drawing Title PLANNING DRAWING 006 INDICATIVE TRANSFORMER		Purpose of issue PLANNING		THIS DOCUMENT HAS BEEN PREPARED IN ACCORDANCE WITH THE SCOPE OF ARCUS' APPOINTMENT WITH ITS CLIENT AND IS SUBJECT TO THE TERMS OF THAT APPOINTMENT. ARCUS ACCEPTS NO LIABILITY FOR ANY USE OF THIS DOCUMENT OTHER THAN BY ITS CLIENT AND ONLY FOR THE PURPOSES FOR WHICH IT WAS PREPARED AND PROVIDED		Arcus Consultancy Services 7th Floor 144 West George Street Glasgow, G2 2HG Tel: +44 (0)141 221 9997 Fax: +44 (0)141 221 5610 www.arcusconsulting.co.uk		
Client 		Designed - Drawn KB Arcus Internal Project No. 3215 Scale @ A3 1:100		Checked DB Approved NH Date 30/06/21				Drawing Number 3215-DR-P-0004		