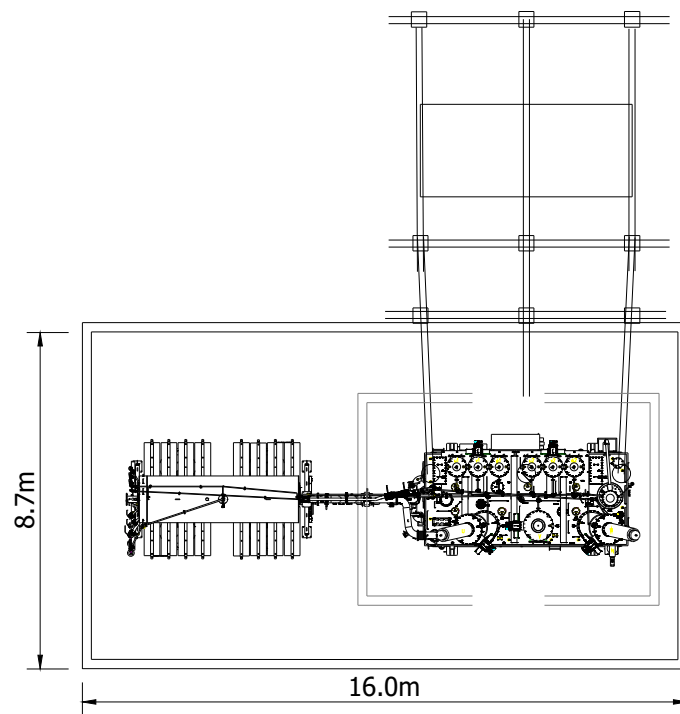
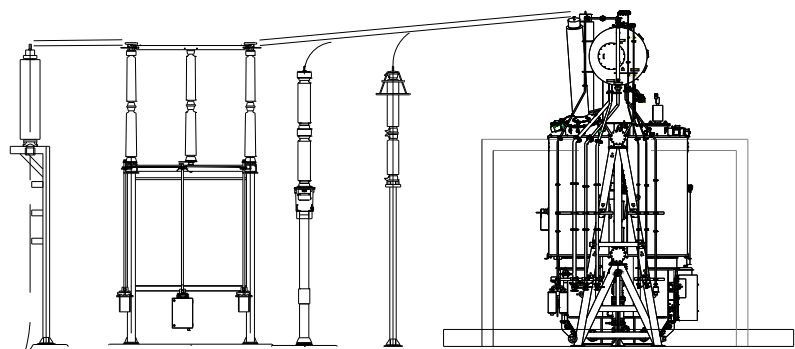


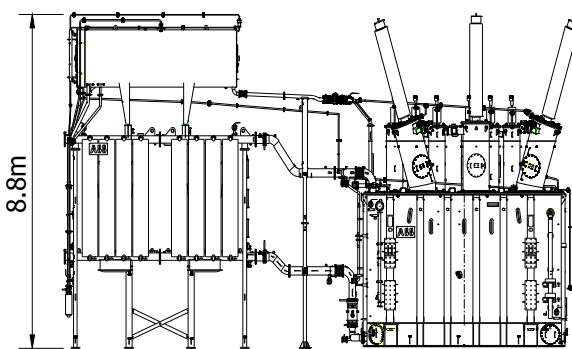
Plot Date : 05 January 2022 14:21:43
 File Name N:\CAD\4259 THORNTON BESS\01-WORKING\01_01-DRAWINGS\ELEVATIONS\4259-DR-P-0013 - P1



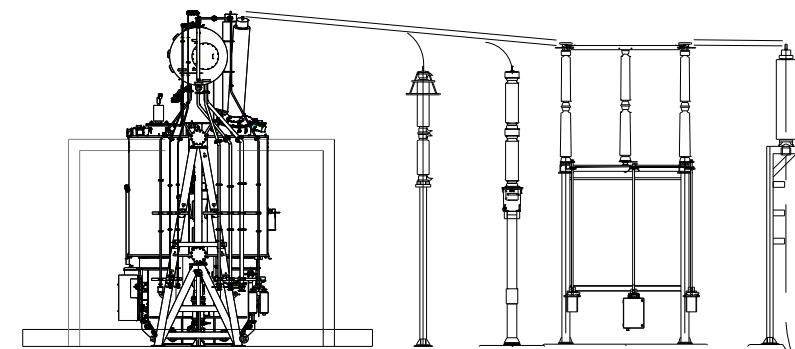
PLAN



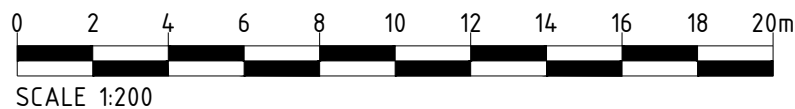
END ELEVATION





ELEVATION



END ELEVATION



Project Title SOAY SOLAR FARM AND GREENER GRID PARK		Drawing Title FIGURE 13 INDICATIVE 400kV TRANSFORMER (GREENER GRID PARK)				Purpose of issue PLANNING				THIS DOCUMENT HAS BEEN PREPARED IN ACCORDANCE WITH THE SCOPE OF ARCUS' APPOINTMENT WITH ITS CLIENT AND IS SUBJECT TO THE TERMS OF THAT APPOINTMENT. ARCUS ACCEPTS NO LIABILITY FOR ANY USE OF THIS DOCUMENT OTHER THAN BY ITS CLIENT AND ONLY FOR THE PURPOSES FOR WHICH IT WAS PREPARED AND PROVIDED		Arcus Consultancy Services 7th Floor 144 West George Street Glasgow, G2 2HG Tel: +44 (0)141 221 9997 Fax: +44 (0)141 221 5610 www.arcusconsulting.co.uk		
Client 		Designed - Drawn SR Arcus Internal Project No. 4259 Scale @ A3 1:200		Checked DB Approved DB Date 05/01/2022		Drawing Number 4259-DR-P-0013		Rev 1						