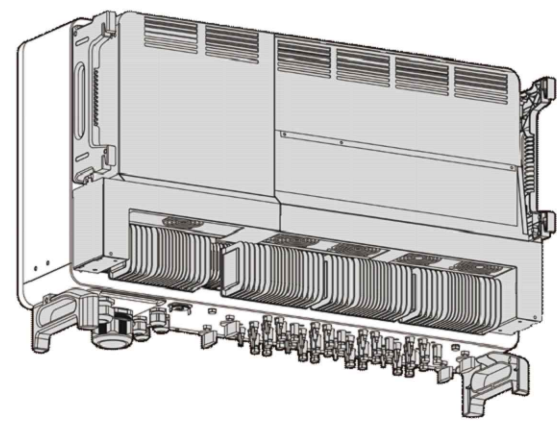
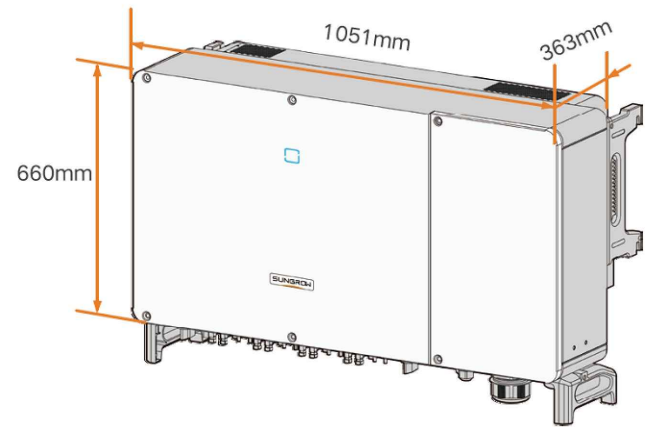


Plot Date : 17 January 2022 10:42:21
File Name : P:\CAD\3404 SOAY SOLAR FARM\01-WORKING\01-DRAWINGS\SUPERSEDED\3404-DR-P-0005-P1 - FIG 7

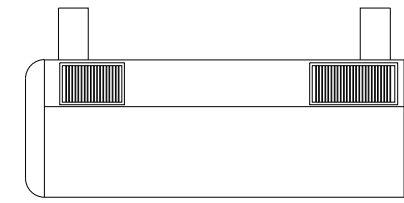


SECTION VIEW

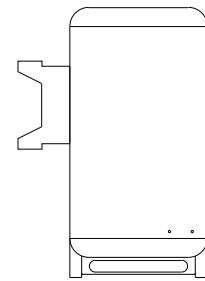


ISOMETRIC VIEW

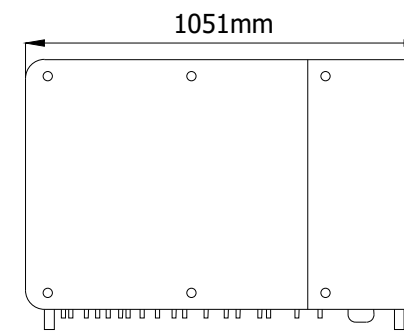
NOT TO SCALE



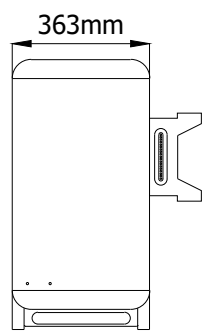
PLAN



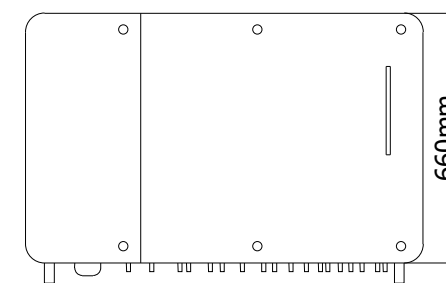
END ELEVATION



FRONT ELEVATION



END ELEVATION



REAR ELEVATION



Project Title SOAY SOLAR FARM AND GREENER GRID PARK		Drawing Title FIGURE 7 INDICATIVE INVERTER PLAN AND ELEVATION (SOLAR)		Purpose of issue PLANNING		THIS DOCUMENT HAS BEEN PREPARED IN ACCORDANCE WITH THE SCOPE OF ARCUS' APPOINTMENT WITH ITS CLIENT AND IS SUBJECT TO THE TERMS OF THAT APPOINTMENT. ARCUS ACCEPTS NO LIABILITY FOR ANY USE OF THIS DOCUMENT OTHER THAN BY ITS CLIENT AND ONLY FOR THE PURPOSES FOR WHICH IT WAS PREPARED AND PROVIDED		Arcus Consultancy Services 7th Floor 144 West George Street Glasgow, G2 2HG Tel: +44 (0)141 221 9997 Fax: +44 (0)141 221 5610 www.arcusconsulting.co.uk	
Client 				Designed - Drawn SR Checked DB Approved DB	Arcus Internal Project No. 3404 Date 14/01/22	Drawing Number 3404-DR-P-0005		Rev 1	

