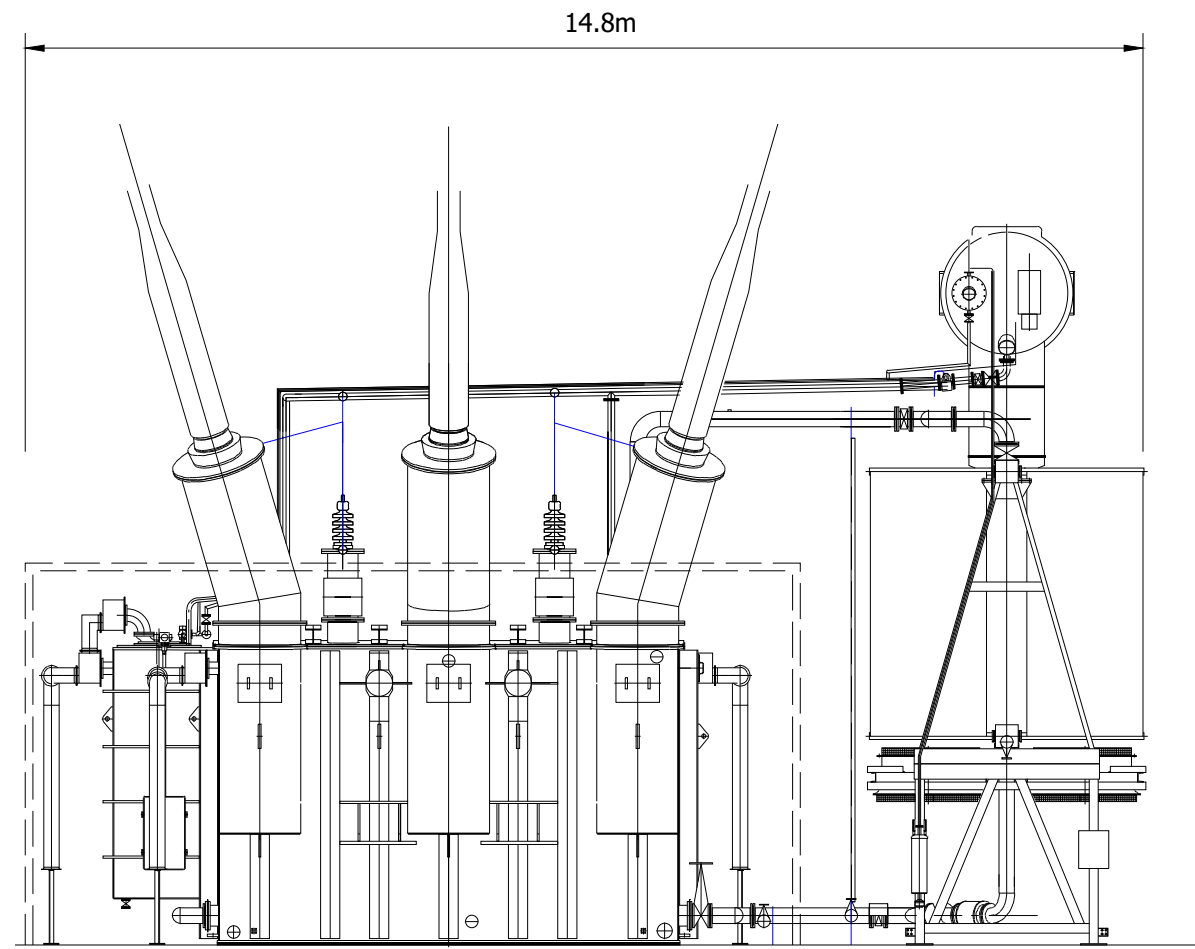
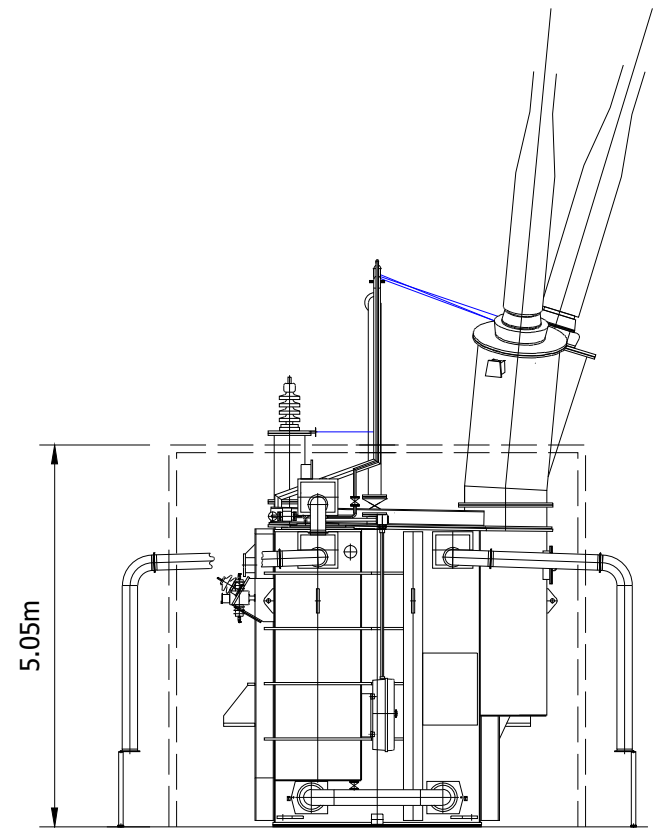


END ELEVATION





FRONT ELEVATION



END ELEVATION

Plot Date : 23 June 2020 15:27:33  
File Name P:\PROJECTS\3421 SWANSEA NORTH\CAD\01-WORKING\01-DRAWINGS\PLANNING FIGURES\3421-DR-P-0006-P2

Project Title <b>SWANSEA NORTH ENERGY MANAGEMENT FACILITY</b>	Drawing Title <b>PLANNING DRAWING 006 INDICATIVE TRANSFORMER &amp; HV COMPOUND</b>	Purpose of issue <b>PLANNING</b>				THIS DOCUMENT HAS BEEN PREPARED IN ACCORDANCE WITH THE SCOPE OF ARCUS' APPOINTMENT WITH ITS CLIENT AND IS SUBJECT TO THE TERMS OF THAT APPOINTMENT. ARCUS ACCEPTS NO LIABILITY FOR ANY USE OF THIS DOCUMENT OTHER THAN BY ITS CLIENT AND ONLY FOR THE PURPOSES FOR WHICH IT WAS PREPARED AND PROVIDED	Arcus Consultancy Services 7th Floor 144 West George Street Glasgow, G2 2HG Tel: +44 (0)141 221 9997 Fax: +44 (0)141 221 5610 <a href="http://www.arcusconsulting.co.uk">www.arcusconsulting.co.uk</a>	
		Designed -	Drawn KB	Checked DB	Approved AM			
Client 		Arcus Internal Project No. 3421	Date 22/06/20					
		Scale @ A3 1:100						